



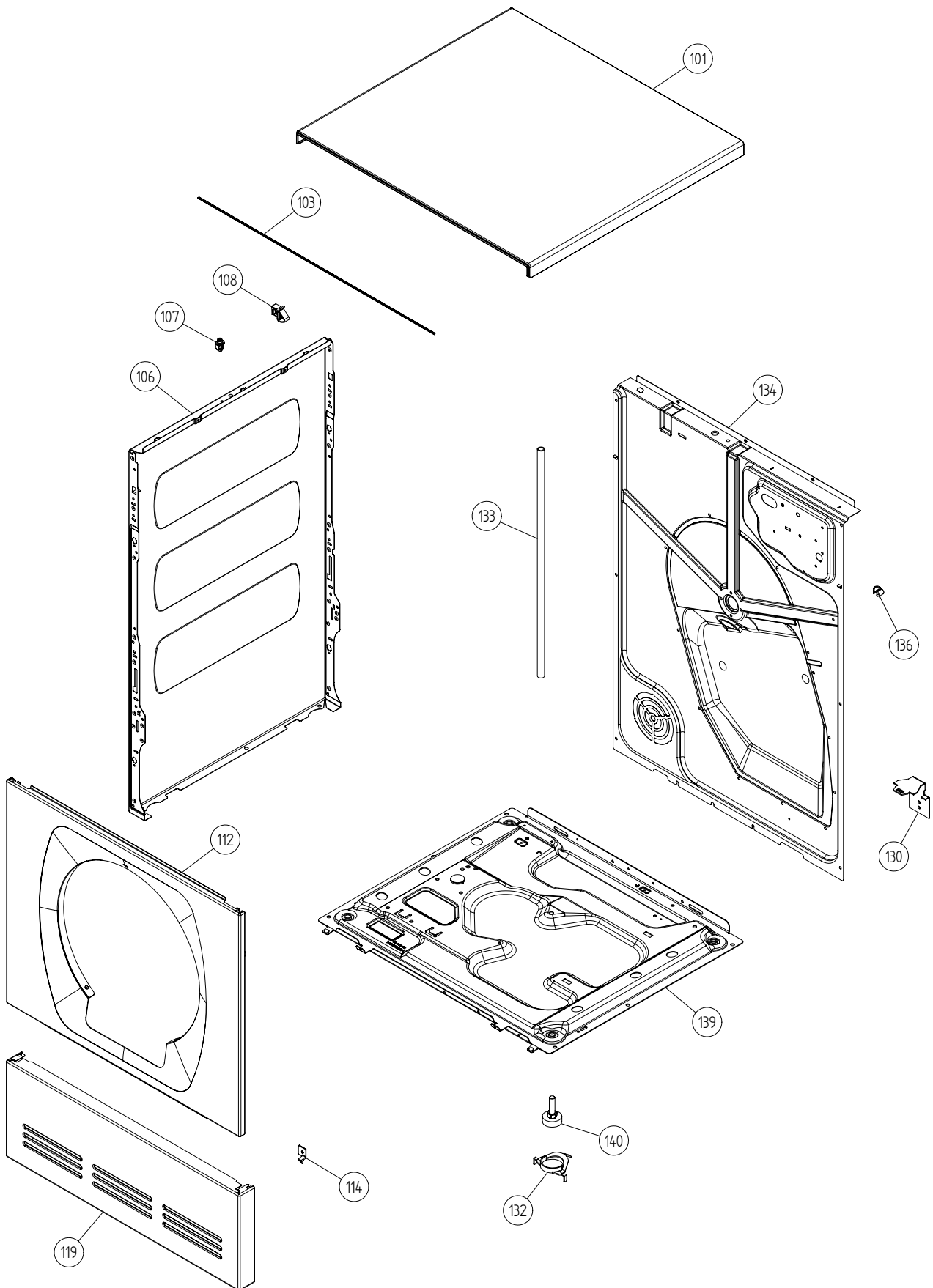
## Spare Parts Catalogue

Dryers \ 700 Series  
Type: TD22US  
Model: T721 US Titanium

Prod. No: 10772117  
April 15th 2005

**AM Appliances Group**

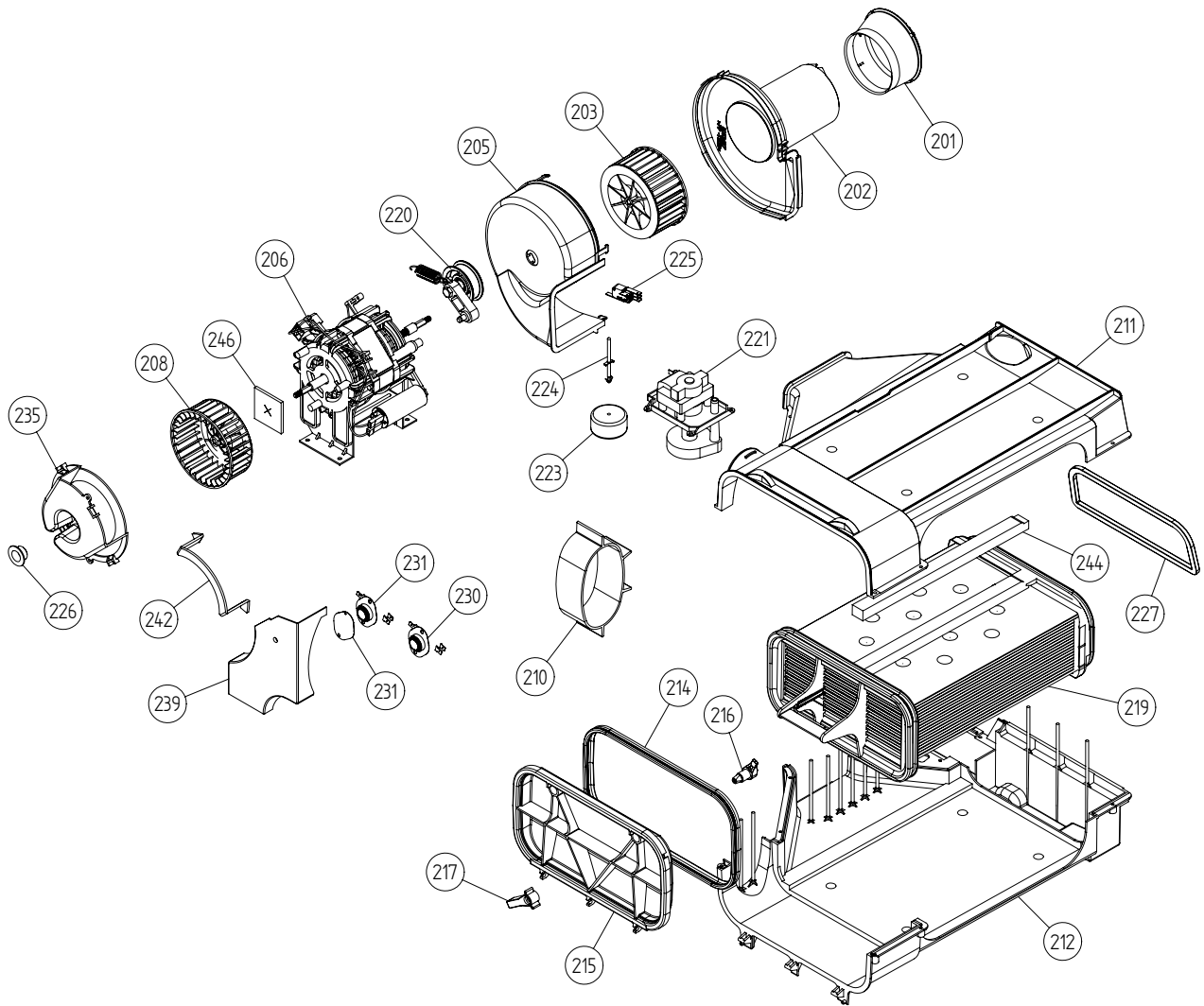
P.O. Box 851805 • Richardson • TX 75085-1805  
789 N. Grove Road • Suite 103 • Richardson • TX 75081



## Outer casing

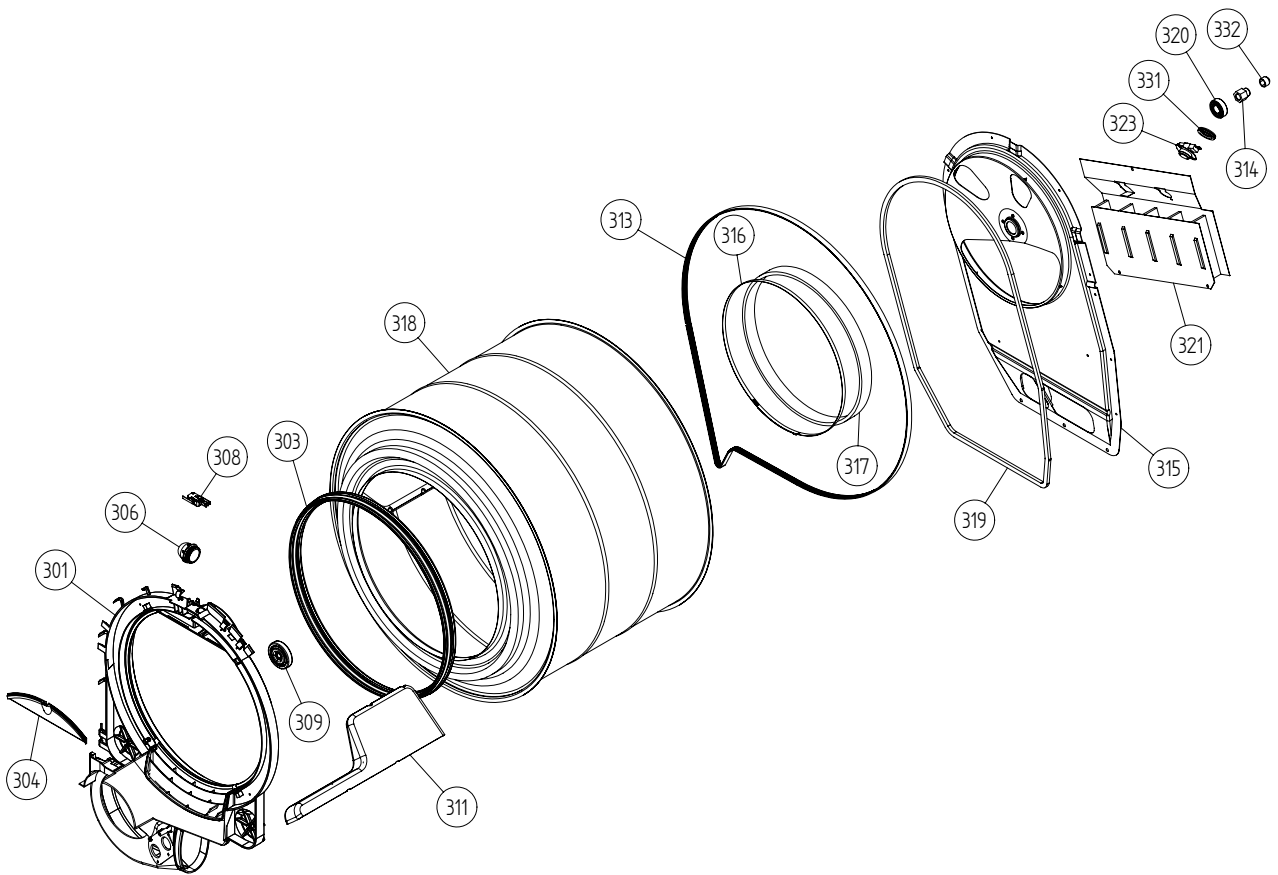
### ASKO, T721 US - Titanium #10772117 (TD22US)

Pos	Spare part No.	Description	Qty	Comment
101	8061817-81	Top WM50 titanium	1 Pcs	
101-a	8900338	Screw 20 Torx Self Tapping	3 Pcs	
101-b	8901413	Lock Washer laundry tops	2 Pcs	
103	8064062	Top Cover Strip	1 Pcs	
106	8801174-81	Side WM50 titanium	2 Pcs	
107	8061763	Clip Front Plate 600700s	2 Pcs	
108	8061916	CABLE HOLDER WMD20	3 Pcs	
112	8061847-81	Front plate TD20 Titanium	1 Pcs	
112-a	8900338	Screw 20 Torx Self Tapping	2 Pcs	
112-b	8901413	Lock Washer laundry tops	2 Pcs	
114	8064177	Hook Lower Pane	2 Pcs	
114-a	8900338	Screw 20 Torx Self Tapping	2 Pcs	
119	8801247-95	Lower Cover SS Compl. W/Clips.	1 Pcs	
130	8053980	STACKING Bracket ALL TDs Mus	2 Pcs	
132	8064114	Holder Dryer Feet Stacking	1 Pcs	
133	8054733	Rubber Hose Accy Drain Cond.	1 Pcs	
134	8061829	Rear Panel Outer T700	1 Pcs	
134-a	8900338	Screw 20 Torx Self Tapping	10 Pcs	
136	8061915	Cable Holder T700	1 Pcs	
139	8061618	BASE PAN WMD20	1 Pcs	
140	8059334	Leveling Leg Comp. WMD 20	4 Pcs	



**Lower session****ASKO, T721 US - Titanium #10772117 (TD22US)**

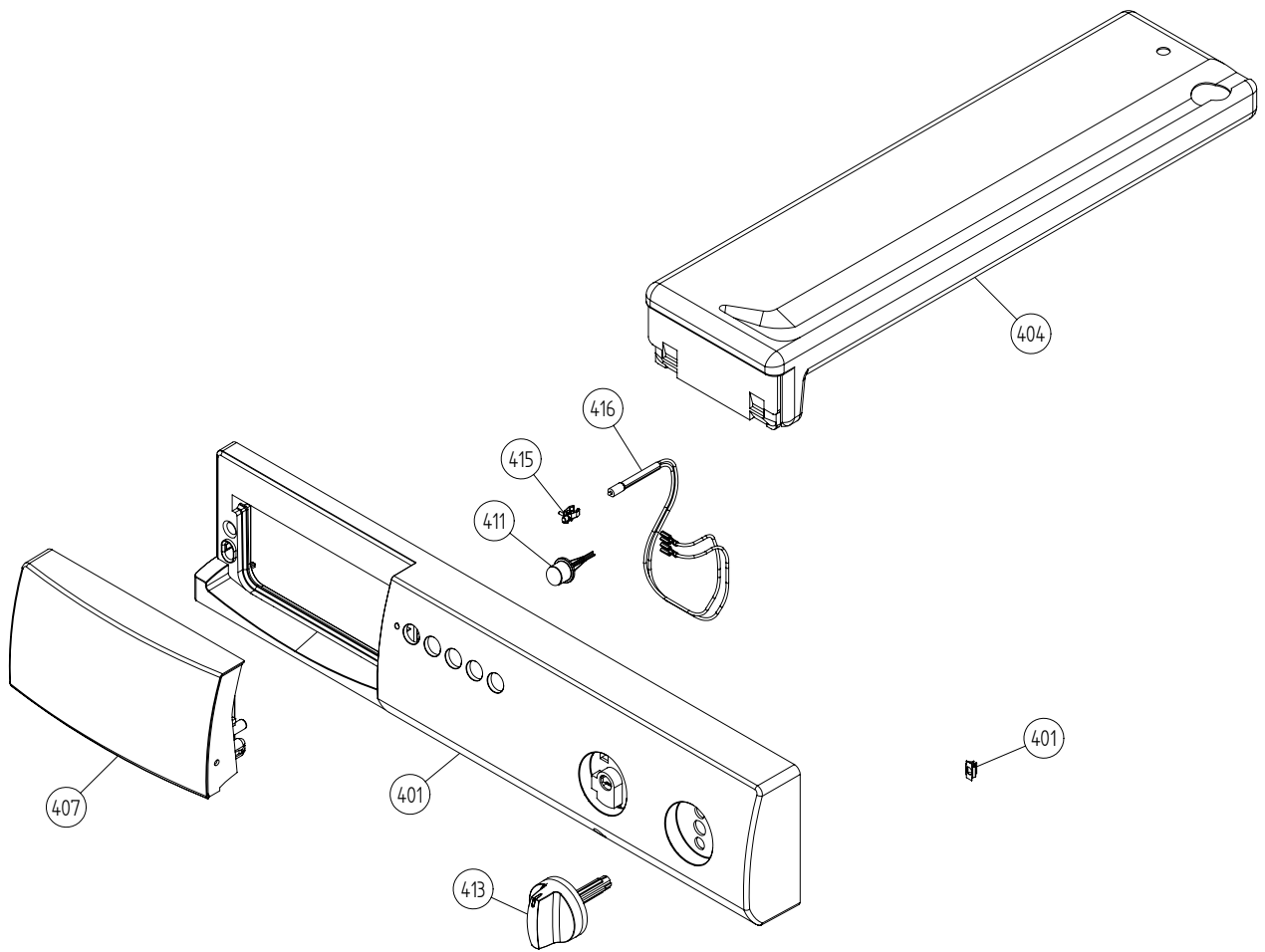
<b>Pos</b>	<b>Spare part No.</b>	<b>Description</b>	<b>Qty</b>	<b>Comment</b>
201	8061940	Air Canal	1 Pcs	
202	8052637	ExFan Inlet	1 Pcs	
203	8061960	Fan Impeller 700 Series	1 Pcs	
205	8052636	ExFan Motor	1 Pcs	
206	8061895	Motor Dryer 700s	1 Pcs	
206-a	8901969	Screw	4 Pcs	
206-b	8054268	Capacitor Dryer Motor 02/05	1 Pcs	
208	8055200	Blower Dryer Front All	1 Pcs	
208-a	8901192	Locking Nut WM 03/05	1 Pcs	
210	8058671	AIR HOSE	1 Pcs	
211	8052574	Condenser House UP	1 Pcs	
211-a	8902087	Screw Plastic Housing 20 Torx	7 Pcs	
212	8052575	Condenser House Lower	1 Pcs	
212-a	8902087	Screw Plastic Housing 20 Torx	3 Pcs	
214	8052644	Seal Cond Door	1 Pcs	
215	8053112	Cover Cond. House	1 Pcs	
216	8052606	LOCK HOOK	2 Pcs	
217	8052605	LOCK KNOB	2 Pcs	
217-a	8902099	Screw	2 Pcs	
219	8063752	CONDENSER SET COMPLETE	1 Pcs	
220	8801214	TENSION ARM W.BALL BEARING	1 Pc's	
221	8801194	Drain Pump Condenser 03/05 TD	1 Pcs	
221-a	8902087	Screw Plastic Housing 20 Torx	3 Pcs	
223	8053056	Float Condenser Dryers	1 Pcs	
224	8053098	Float Pin	1 Pcs	
225	8052643	MICROSWITCH Overflow TD	1 Pcs	
226	8061949	Plug Fan TD700 Series	1 Pcs	
227	8059711	Sponge Rubber Strip	1 Pcs	
230	8001444	TStat Low Temp T720	1 Pcs	
230-a	8902042	Screw Protective Cover Dryer	1 Pcs	
231	8050091	Cover Plate	1 Pcs	
231	8065306	THERMOSTAT 70	1 Pcs	
231-a	8902042	Screw Protective Cover Dryer	1 Pcs	
231-a	8900369	Screw T25	1 Pcs	
235	8076330-0	FAN CASING LID UL4	1 Pcs	
235	8061899	Fan Casing Lid T700	1 Pcs	
235-a	8902042	Screw Protective Cover Dryer	2 Pcs	
239	8076948	PROTECTION FAN HOUSE ASM	1 Pc's	
239-a	8902042	Screw Protective Cover Dryer	1 Pcs	
242	8064184	SEALING COVER FAN HOUSE	1 Pcs	
244	8063905	SEALING STRIP CONDENSER SET	2 Pcs	
246	8058323	SHAFT SEAL DRYER	1 Pcs	



## **Cylinder and related parts**

**ASKO, T721 US - Titanium #10772117 (TD22US)**

<b>Pos</b>	<b>Spare part No.</b>	<b>Description</b>	<b>Qty</b>	<b>Comment</b>
301	8801216	Front frame compl. TD21	1 Pcs	
301	8076835	FRONT DOOR COMPL. SS/GREY MET.	1 Pcs	
301-a	8902066	Screw	4 Pcs	
303	8061821	Front Felt Seal T700	1 Pcs	
304	8061932-49	Lamp housing lid grey TD21	1 Pcs	
306	8061887	Lamp Chimney	1 Pcs	
308	8053107	Micro Switch Dryer 03/05	1 Pcs	
309	8052622	Drum Roller Frt. TD	1 Pcs	
311	8052589	Paddle	2 Pcs	
311-a	8902099	Screw	5 Pcs	
313	8065710	Belt 700s	1 Pcs	
314	8052632	Bushing Rear Drum 03/05 TD	1 Pcs	
315	8061851	Rear Panel Inner T700	1 Pcs	
315-a	8900369	Screw T25	13 Pcs	
317	8064440	Felt sealing rear	1 Pcs	
318	8061800	Cylinder Dryer TD20 Comp.	1 Pcs	
319	8059712	Rubber Strip	1 Pcs	
320	8004439	Bearing Dryer Rear Panel All	1 Pcs	
321	8063808	Heater Element 2500 W700s	1 Pcs	
321-a	8900369	Screw T25	2 Pcs	
323	8064905	Atuo Reset TStat 175C / TDC	1 Pcs	
323-a	8900369	Screw T25	1 Pcs	
331	8052650	Diaphragm Overheat	1 Pcs	
332	8064151	CAP OF BOLT	1 Pcs	

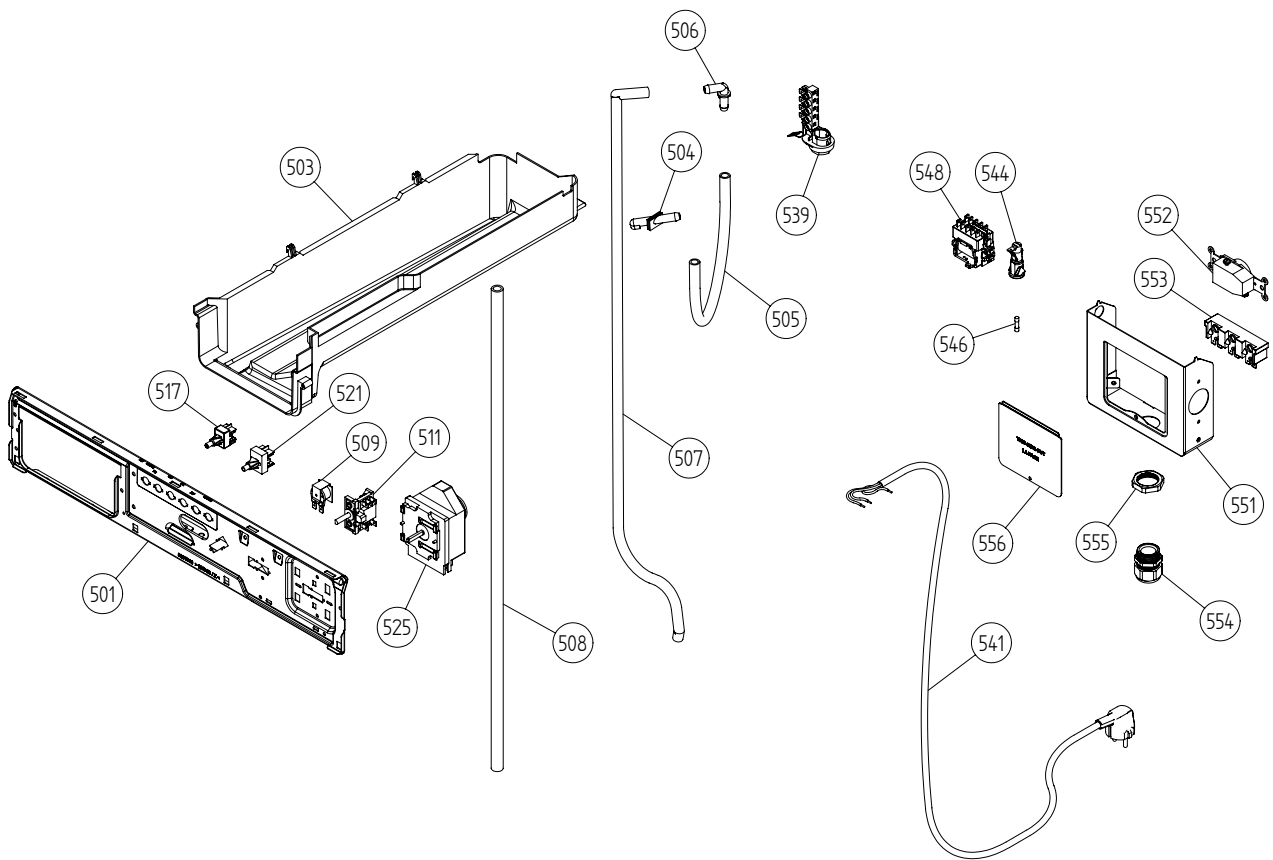




## **Control panel**

### **ASKO, T721 US - Titanium #10772117 (TD22US)**

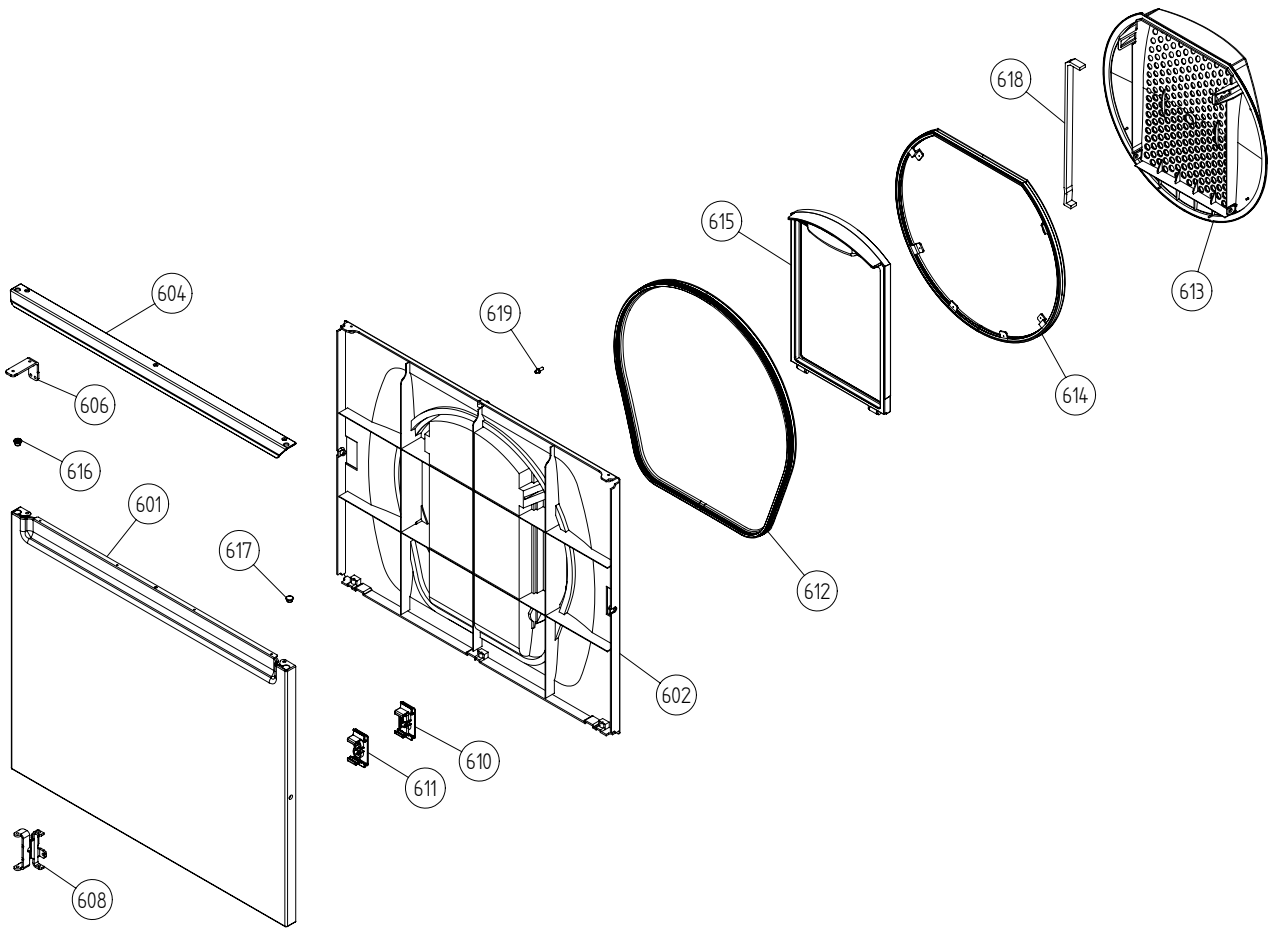
<b>Pos</b>	<b>Spare part No.</b>	<b>Description</b>	<b>Qty</b>	<b>Comment</b>
401	8076554-81-UL	PANEL W.HANDLE T721 ASKO US	1 Pcs	
401-a	8901591	Clip/Panel 600700s	4 Pcs	
407	8061846-81-UL	HANDLE PANEL MECH WMD20	0 Pcs	
411	8061711-81	PUSH BUTTON WMD20	5 Pcs	
413	8061892-81	KNOB TEMP/TIMER W.CLIPS WMD20	2 Pcs	
415	8061822	Decor Lens 06 Laundry	1 Pcs	
416	8060478	Ind. Lamp 600s WM	1 Pcs	
490	8076812	INSTRUCT. TD21 ENGLISH US/CA	1 Pcs	
490	8076813	INSTRUCTIONS TD21 FRENCH US/CA	1 Pcs	
490	8076814	INSTRUCT. TD21 SPANISH US/CA	1 Pcs	



## Upper session

### ASKO, T721 US - Titanium #10772117 (TD22US)

Pos	Spare part No.	Description	Qty	Comment
501	8061690	Front Beam 600/700 Series	1 Pcs	
501-a	8900338	Screw 20 Torx Self Tapping	2 Pcs	
501-b	8901413	Lock Washer laundry tops	2 Pcs	
501-c	8902087	Screw Plastic Housing 20 Torx	2 Pcs	
506	8054072	NIPPLE WATER HOSE	1 Pcs	
507	8054732	Rubber Hose	1 Pcs	
509	8061883	Buzzer T700	1 Pcs	
509-a	8901097	Screw Terminal	1 Pcs	
511	8061931	Rotary Switch T700/720	1 Pcs	
511-a	8901097	Screw Terminal	2 Pcs	
517	8061875	Switch ON/OFF WM20	4 Pcs	
521	8061877	Start Switch T700/T720	1 Pcs	
525	8061868	Timer T720	1 Pcs	
529	8087000-1	Basic Harness	1 Pcs	
539	8061660	Terminal Block 5Pole	1 Pcs	
539-a	8901097	Screw Terminal	1 Pcs	
548	8064179	Relay 10 terminals WM	2 Pcs	
551	8076324	Connection box T711	1 Pcs	
552	8061033	Subs to 8061455	1 Pcs	
553	8061891	Terminal Block DryerTD 20	1 Pcs	
554	8060462	Grommet	1 Pcs	
555	8060463	Lock Nut	1 Pcs	
556	8063756	Cover Terminal block T700s	1 Pcs	
556-a	8901097	Screw Terminal	1 Pcs	

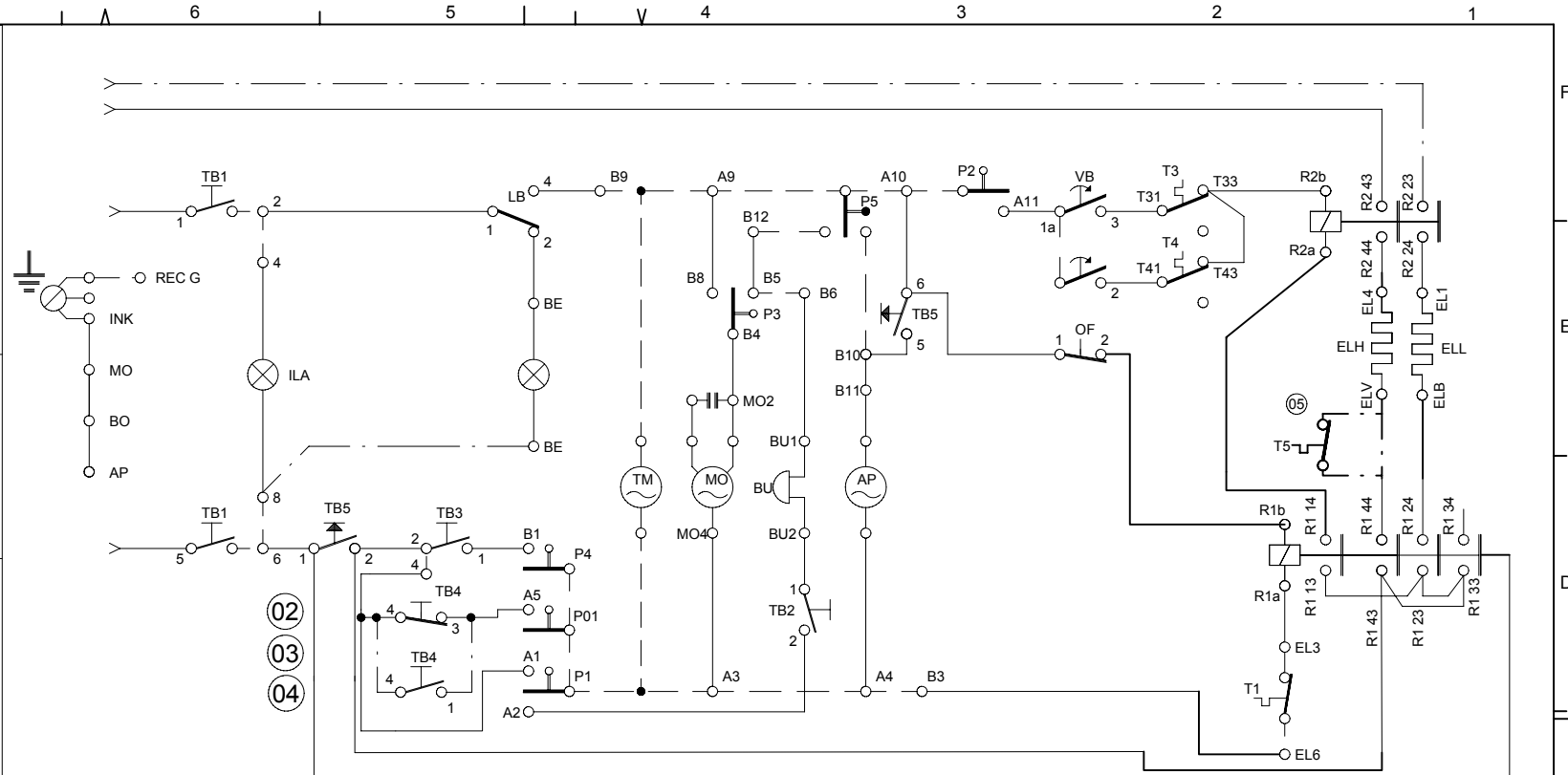
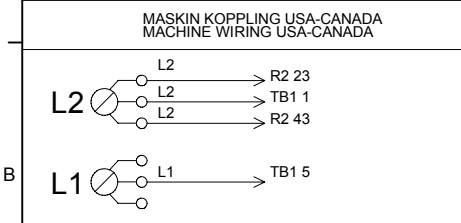
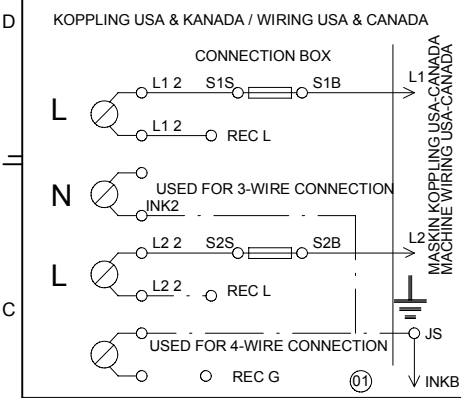
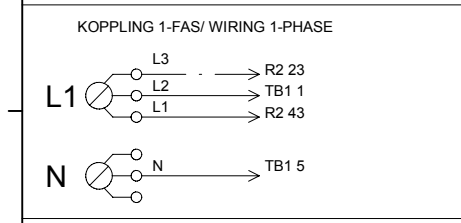
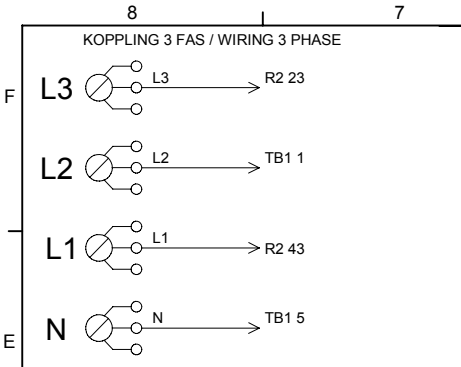


## Outer door

### ASKO, T721 US - Titanium #10772117 (TD22US)

Pos	Spare part No.	Description	Qty	Comment
601	8061733-95	Outer Door WMD600/700 Series.	1 Pcs	
602	8061810	Inner Door Dryer T700 Series	1 Pcs	
602-a	8902068	Screw	5 Pcs	
604	8061813-81	Door Handle Metallic	1 Pcs	
606	8061805-81	Hinge titanium	1 Pcs	
606	8061803-81	HINGE UPPER COMPL GREYMET	1 Pcs	
606	8061805	SUB TO 80618050 hinge T711	1 Pcs	
608	8061806-81	HINGE LOWER GREY METALLIC	1 Pcs	
608	8061807-81	Lower Hinge Lower Compl.	1 Pcs	
610	8061878	Magnet Door T700s	1 Pcs	
611	8061886	Lock Holder T700 Series	0 Pcs	
612	8061815	Seal Dryer Door T700s	1 Pcs	
613	8065840	Filter Holder Compl.	1 Pcs	
614	8065274	Filter bracket T711	1 Pcs	
615	8061812	Double Lint filter 700s	1 Pcs	
616	8061865-81	Hinge Bearing 700 Series	2 Pcs	
617	8061953-81	door plug titanium	1 Pcs	
618	8801250	Kit sealing strip/filter hold	1 Pcs	
619	8064240	Pin Door Switch Dryer	1 Pcs	

S:\UW\Wmd20\1\_TryckunderlagiKopplingschema 8061867 KTD22-05.dft - mast - 2002-04-22 10:08:40



STEP NR.	START POSITION	5	10	15	20	25	30	35	40	45	50	55	60
01	COOLING 18 NEDKYLNING 18												
1	BUZZER SUMMER												
2	COOLING 9 NEDLYNLING 9												
2	HEATER RELAY ELEMENT RELÄ												
3	MOTOR DIRECT MOTOR DIREKT												
4	ANTICREASE INTERVALLGÅNG												
5	BUZZER SUMMER												
5	DRAIN PUMP AVLOPPSPUMP												

This document must not be copied without our written permission, and the contents thereof must not be imparted to a third party without the prior written permission and consent of the copyright owner. All rights reserved. Copying and distribution for any purpose other than that mentioned herein is prohibited. Askö Cyllinda AB

- BO: BOTTOM
- BOTTEN
- MO: MOTOR
- MOTOR
- R: RELAY
- RELA
- ELL: VÄRMEELEMENT, LAG EFFEKT
- HEATER, LOW POWER
- ELH: VÄRMEELEMENT, HOG EFFEKT
- HEATER, HIGH POWER
- TM: TIMERMOTOR
- TIMERMOTOR
- LB: DOOR SWITCH
- LUCKBRYTARE
- AP: DRAIN PUMP
- AVLOPPSPUMP
- TB: TRYCKBRYTARE
- PUSH BUTTON SWITCH
- ILA: INDIKERINGSLAMP
- INDICATION LAMP
- T1: THERMOSTAT (MAN O.H.)
- TERMOSTAT (MAN O.H)
- T3: THERMOSTAT (HIGH)
- TERMOSTAT (HOG)
- T4: THERMOSTAT (LOW)
- TERMOSTAT (LAG)
- T5: THERMOSTAT
- TERMOSTAT
- OF: OVER FLOW PROTECTION SWITCH
- ÖVERFYLLNADSBRYTARE
- REC: OUTLET WASHING-MACHINE
- UTTAG TVÄTTMASKIN
- INKB: MAIN TERMINAL BLOCK
- INKOPPLINGSPLINT
- BE: INTERNAL ILLUMINATION
- INNERBELYSNING

--- INTERNAL CONNECTION  
INTERN KOPPLING

--- ALTERNATIVE WIRING  
ALTERNATIV KOPPLING

Rev ind	Revision	Appd	Year	Week
05	Added thermostate T5	PS	03	03
04	Changed number on TB 42 to TB 44	PS	01	41
03	Changed number on TB 4	PS	01	37
02	Changed funktion TB 4	SS	01	33
01	JS Added	PS	99	27

Pos.	Qty	Part No.	Name of item	Material
Material		Dens.Kg/dm3	Dimensions, Type, etc.	
Scale		Gen.tolerance		Description(ENG)
Designed by		Gen.tol.Angle		Description(SE)
Released by		Iss by Dept	Year	Week
		UT	98	03
<b>ASKO CYLINDA</b>				Rev Ind
<b>80 618 67 05</b>				Replace
				Project
				8061867 rev:04